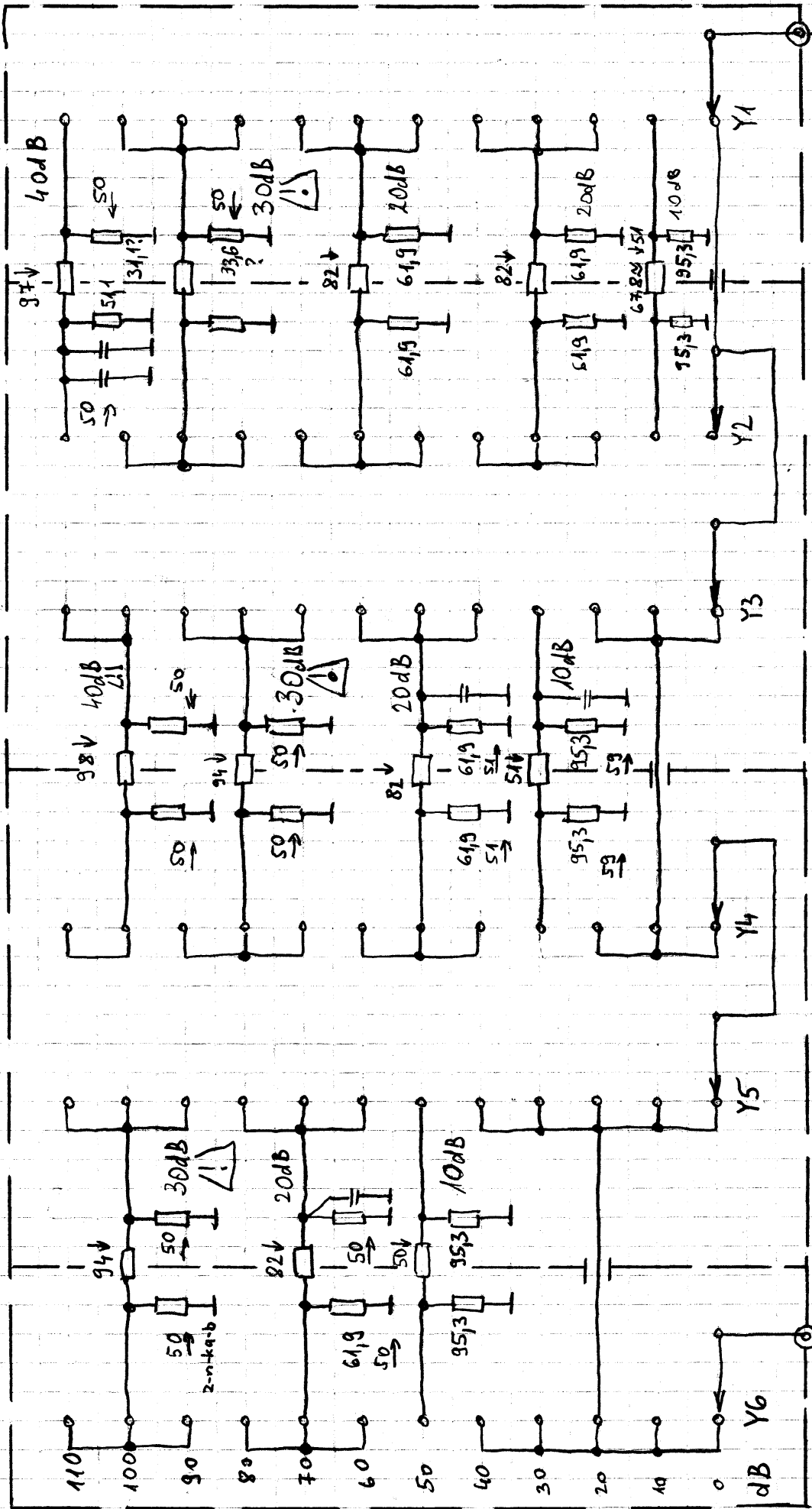


FERI SOL CH-400 S-500 MHz Output Attenuator T1A01R TGH-403



$R_1 = R_2 = 51.1 \Omega$	$R_3 = 2,489,75 \text{ k}\Omega$
$R_1 = R_2 = 53.6 \Omega$	$R_3 = 789,77 \Omega$
$R_1 = R_2 = 64.1$	$R_3 = 247,5 \Omega$
$R_1 = R_2 = 86.2$	$R_3 = 71,15 \Omega$

40 dB
30 dB
20 dB
10 dB

Y1... Y6 1/2 Stage
YAXLEY

Output

www.giangrandi.ch